

## IFR6

**Infra Red remote control  
for one SIMDA Projector**  
3215, 3225, 3235, 3232(2.0\*), 3240(1.4\*),  
3262(3.2\*), 3462(3.2\*). (\*Minimum soft version)

### Characteristics :

This unit has a maximum operating range of 20-25 meters. It allows control of forward and reverse slide change and lens focus. Also on some Simda projectors, the control of lamp or shutter, and return to zero functions.

### To connect the receiver :

Connect the 6 pin plug of the receiver to the socket at the rear of the SIMDA projector. Switch on the projector.

### Special features :

#### 'Lamp' function (1)

The lamp button allows you to control the projected light: SIMDA 3262 and 3462, you control the lamp on/off. On others models you control the lamp shutter.

#### 'Home' function

This function allows you to return the tray to the zero position.

### To fit the batteries in the transmitter :

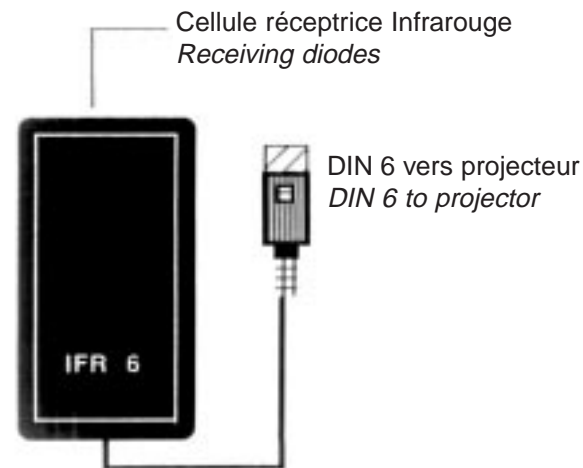
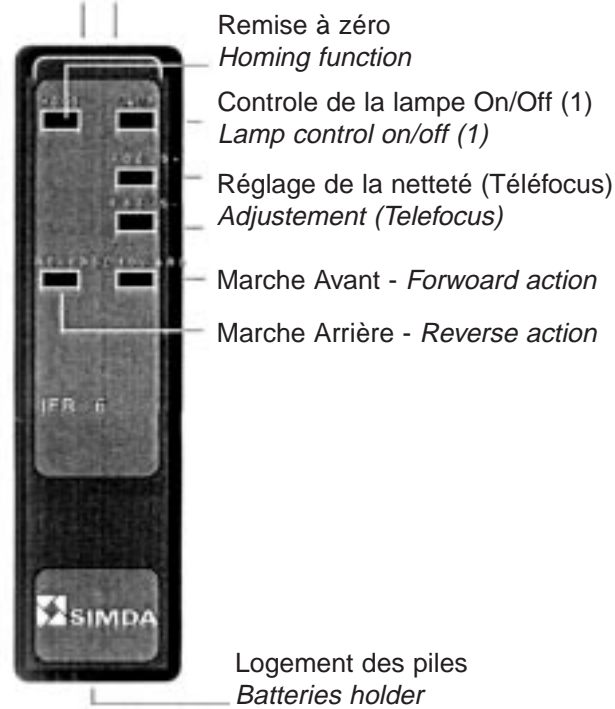
Remove the cover of the battery compartment.  
Fit the 2 x LR 03 batteries in the battery compartment making sure that they are in the right position.

### Cautions :

If you use others projectors except SIMDA 3262 or 3462 the IN/OUT switch must be on the IN position.

Put the receiver in such a way that receiving diodes are pointed facing the transmitter ones. (And vice versa...).

Cellules émettrices  
Transmitting diodes



## IFR6

**Infra Red remote control  
for one SIMDA Projector**  
3215, 3225, 3235, 3232(2.0\*), 3240(1.4\*),  
3262(3.2\*), 3462(3.2\*). (\*Minimum soft version)

### Characteristics :

This unit has a maximum operating range of 20-25 meters. It allows control of forward and reverse slide change and lens focus. Also on some Simda projectors, the control of lamp or shutter, and return to zero functions.

### To connect the receiver :

Connect the 6 pin plug of the receiver to the socket at the rear of the SIMDA projector. Switch on the projector.

### Special features :

#### 'Lamp' function (1)

The lamp button allows you to control the projected light: SIMDA 3262 and 3462, you control the lamp on/off. On others models you control the lamp shutter.

#### 'Home' function

This function allows you to return the tray to the zero position.

### To fit the batteries in the transmitter :

Remove the cover of the battery compartment.  
Fit the 2 x LR 03 batteries in the battery compartment making sure that they are in the right position.

### Cautions :

If you use others projectors except SIMDA 3262 or 3462 the IN/OUT switch must be on the IN position.

Put the receiver in such a way that receiving diodes are pointed facing the transmitter ones. (And vice versa...).